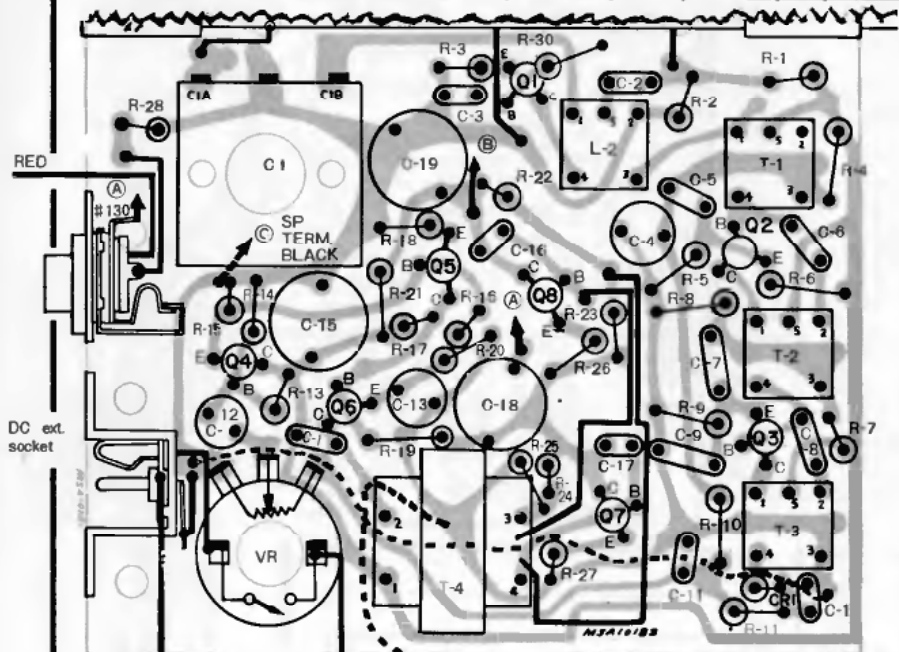
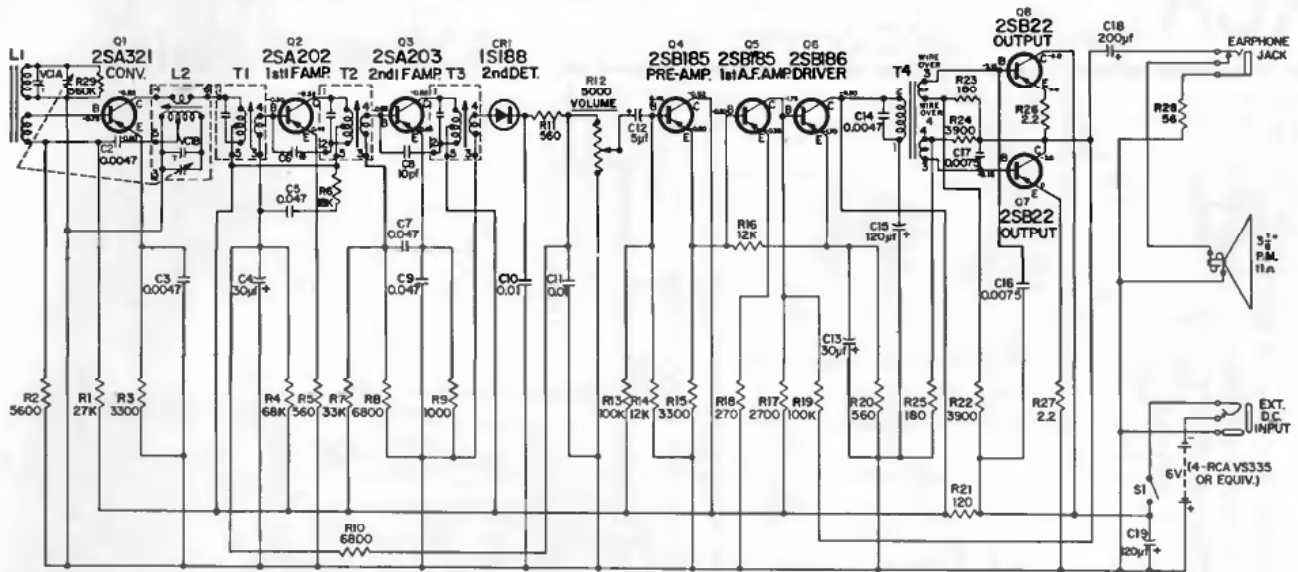


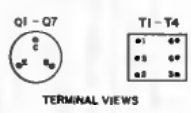
RCA VICTOR Models RJG 25 Series, RJG 86 Series



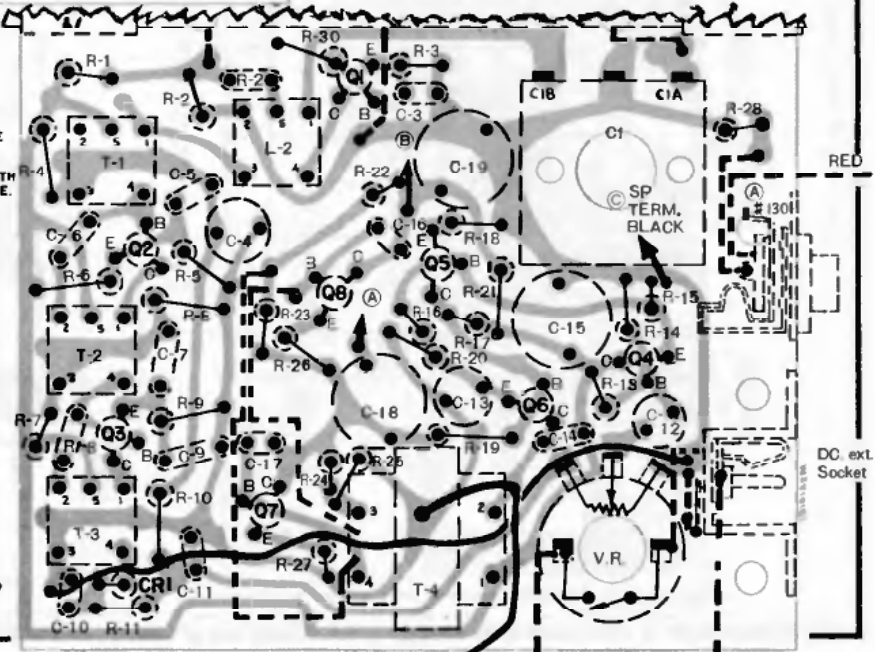
Step	Signal Gan. Output	Dial Pointer Setting	Adjust for Max. Output
1			T3 (3rd IF)
2	455 kc	Gang open	T2 (2nd IF)
3			T1 (1st IF)
4	Repeat Steps 1, 2, and 3		
5	520 kc	Gang closed	L2 (Osc. coil)
6	1650 kc	Gang open	C1B-T (Osc. trim.)
7	1400 kc	1400 kc (rock gang)	C1A-T (Ant. trim.)
8	Repeat Steps 5, 6, and 7		

Connect Signal Generator to—
Loop of wire placed near antenna for radiated signal

1. RESISTANCE VALUES ARE IN OHMS; K=1000.
2. CAPACITANCE VALUES LESS THAN 1.0 ARE IN μf , VALUES 1.0 AND ABOVE ARE IN μf , EXCEPT AS OTHERWISE NOTED.
3. VOLTAGES ARE MEASURED WITH A "VOLTCHEMYST" TO CHASSIS GROUND WITH NO SIGNAL AND SHOULD HOLD WITHIN $\pm 20\%$ AT RATED SUPPLY VOLTAGE.



Chassis Layout—Wiring Side →



BATT. TERM. RED
YELLOW
BATT. TERM. BLACK